

Light Sniper Square Wall-Washer LED

Ceiling Recessed Trimmed Fixed Wall-Washer

Description

High performance recessed luminaires available for halogen, metal halide, or integral LED. With a 1.75" aperture and a true 40 degree aiming angle, the Light Sniper offers high comfort due to the back visual position of the light source. Toolless aiming holds its focus indefinitely. Fixed, adjustable and wallwash versions available.

Lamps

LED: Cree
11W, 910lm, 2700K, CRI 90
11W, 1060lm, 3000K, CRI 90

Delivered lumen from 316 lm up to 339 lm

Construction

Fixture made of two die cast aluminum bodies.

Round trim made of steel sheet 1/16" thick with white matte finish.

It incorporates inner trim ring in three different finishes: black, matte gold and chrome.

Photometrics

For current IES files please visit architectural.flosusa.com

Finish

- 06 White/
- Chrome



Electrical

Non-IC rated splice box for retrofit or new construction contains 0-10V or ELV constant current dimmable driver

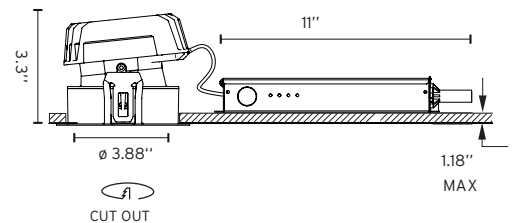
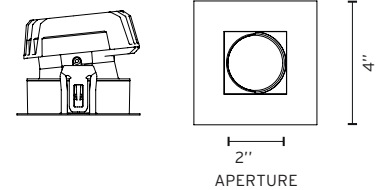
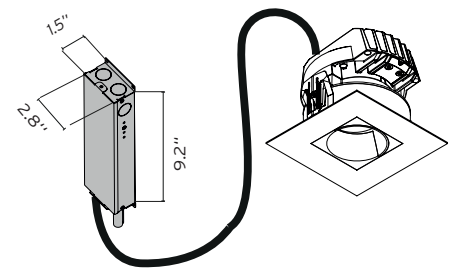
Notes

Factory suggests 5.7" (145mm) minimum plenum height.

Listings: UL Listed, IP44 damp location with added lens.

Warranty



2 years from date of sale.





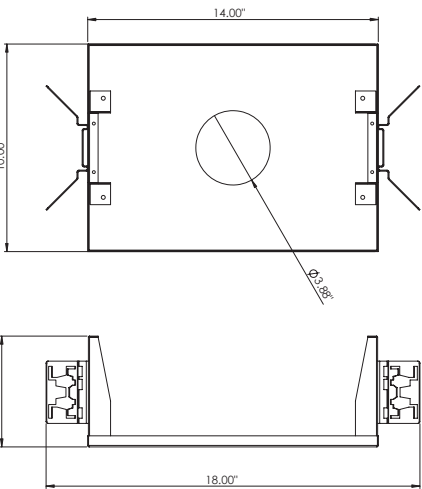
Light Sniper Square Wall-Washer LED

Ceiling Recessed Trimmed Fixed Wall-Washer

How to Specify ex. 03.4991.06.UL

QTY	Item Number	Description	Finish	Power Supply
	03.4991	Light Sniper Square Wall Washer, LED, 11W, 910lm, 2700K, CRI 90	 O6 = White Trim/Chrome Ring	UL = Splice Box, 1% dim, 0-10V, 120V 7U = Splice Box, 1% dim, 0-10V, 277V AGT = Splice Box, 10% dim, ELV, 120V
	03.4990	Light Sniper Square Wall Washer, LED, 11W, 1060lm, 3000K, CRI 90	 O6 = White Trim/Chrome Ring	AUL = Splice Box, 1% dim, 0-10V, 120V A7U = Splice Box, 1% dim, 0-10V, 277V AGT = Splice Box, 10% dim, ELV, 120V

Optional Accesories

Image	QTY	Item Number	Description
		08.8240.00A	Flush ceiling square frame
		08.8243.00	Ceiling protector accessory to be used without housing for trimmed application
		TRAY-0013	Registration Tray -non electrical, place holder for non IC new construction, Ø 3.88"