




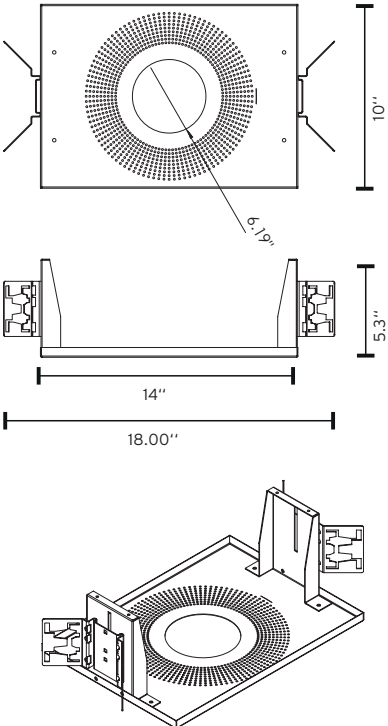




## Bon Jour 145

### Ceiling Recessed Fixed Downlight

#### Optional Accessories

| Image   | QTY | Item Number | Description  |
|---|-----|-------------|--|
|    |     | 08.8975.00  | Installation Frame ring until 1" ceiling thickness                                   |
|    |     | 08.8980.14  | Cross baffle + Honeycomb   |
|    |     | 08.8977.00  | Decorative crown transparent   |
|  |     | 08.8978.00  | Decorative crown yellow accessory  |
|  |     | 08.8979.00  | Decorative crown soft accessory  |
|  |     | TRAY-007    | Registration tray -non electrical, place holder for non IC new construction, ø 6.19" |