

## Find Me 2 Monopoint

Ceiling Recessed Trimmed / Trimless Adjustable Spotlight

### Description

Hide-and-go-seek brought to light. The versatile Find Me is a tiny semi-recessed downlight hidden in the ceiling until otherwise sought. With a simple pull, the downlight can extend below the ceiling and transform into a refined cylindrical monopoint. This diminutive yet powerful luminaire is endlessly versatile and can tilt 90 degrees and rotate 360 degrees. Deep matte black snoot maximizes cut off and reduces glare. The Find Me line is available as a single with trim or without, a dual-head trimless multiple, and as a pendant.

### Lamps

LED: CREE  
7.2W, 660lm, 2700K, CRI 90  
7.2W, 720lm, 3000K, CRI 90

### Construction

Installation frame made of injected thermoplastic material.

Luminaire is made of extruded aluminium.

### Electrical

Fixture is constant current, low voltage 7.2W LED (Integral).

Remote power Supply. See required accessories one splice box can power multiples fixtures in series. Check maximum load with the factory.

Maximum remote distance is 50ft with 16ga.

### Finish

30 White  06 Chrome  14 Black



### Notes

Maximum tilt angle 90°.

Maximum rotation 360°.

Remote power supply cannot fit through hole.

Fixture is supplied with an installation frame ring to be premounted in dry wall.

The Mono Point version is supplied with a frame ring, which should be fitted to the product if a Trim version is required, or without, if a No Trim version is required.

Fixture is IC rated.

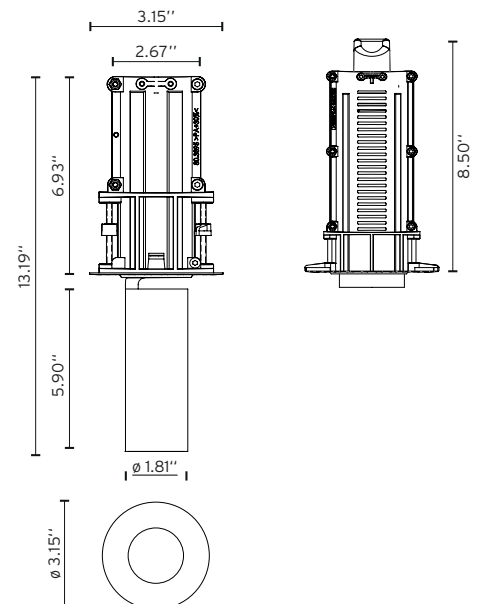
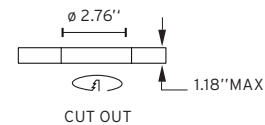
Listings: UL Listed, IP23 dry location only, Class 2

### Photometrics

For current IES files please visit [architectural.flosusa.com](http://architectural.flosusa.com)

### Warranty

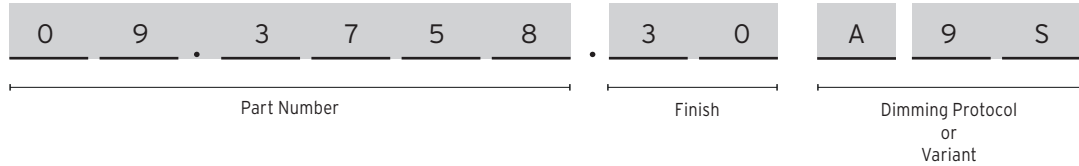
2 years from date of sale.



## Find Me 2 Monopoint

Ceiling Recessed Trimmed / Trimless Adjustable Spotlight

### How to Specify



How to Specify      ex. 09.3708.30.9S + SP40W600MA-10V-A02

Part Number	CCT	CRI	Initial Lumens	Delivered Lumens	Watts	Beam Angle	Finish	Dimming Protocol
09.3708	3000	90	720	537	7.2W	24°	<input type="checkbox"/> 30 = White <input type="checkbox"/> 14 = Black <input type="checkbox"/> 06 = Chrome	A9S = Remote Power Supply
09.3707	2700	90	660	504	7.2W	24°	<input type="checkbox"/> 30 = White <input type="checkbox"/> 14 = Black <input type="checkbox"/> 06 = Chrome	9S = Remote Power Supply

### Required Accessories

Image	QTY	Item Number	Description
		SP40W600MA-10V-A01	Splice Box UL 7"x3-5/8"x1-1/4", UL. With Driver Programmed to 600mA , 40W, 0-10V Dimmable, 120/277V
		SP25W600MA-10V-A02	Splice Box UL 7"x3-5/8"x1-1/4", UL. With Driver Programmed to 600mA , 25W, 0-10V Dimmable, 120/277V