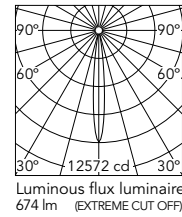
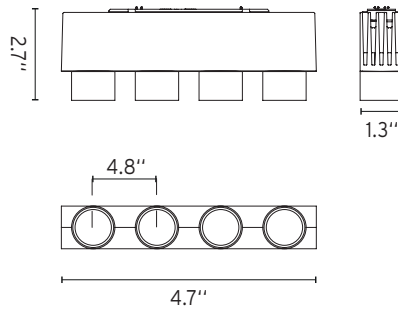


Running Magnet 2.0 Recessed

High-tech LED lighting system for interior architecture.

Multi Spot 4

4 accent Spot LED module can be rapidly exchanged and repositioned without tools. Light elements are quick to position and connect automatically with magnets. Built-in dimming knob dims fixture (from 20-100%), DALI and 0-10V (from 10-100%). Standard beam spread is 14° additional interchangeable lenses available in 20° and 30°, and elliptical beam spread.



Beam Angle: 11°	h(m)	E(x)	D(m)
1	12572	0.20	
2	3143	0.40	
3	1397	0.60	
4	786	0.80	
5	503	1.00	

How to Specify ex. 03.6306.14.90

CCT	CRI	Initial Lumens	Delivered Lumens	Watts	Beam Spread	Part Number	Finish	Dimming Protocol
3000K	90	4 X 210lm	674lm	10W	11°	03.6306	■ 14 = Black	.90 = Dimmable on board
2700K	90	4 X 210lm	630lm	10W	11°	03.6305		.DD = DALI
								.9V = 0-10V

Optional Accessories

Flood Lens Accessory 20° Field Changeable	Wide Flood Lens Accessory 30° Field Changeable	Elliptical Lens Accessory Field Changeable 10° x 40°
Part Number: 08.8760.00	Part Number: 08.8761.00	Part Number: 08.8759.00
