

## Landlord Soft

Adjustable head for ground poles installation designed by Piero Lissoni



### Description

Discreet and orientable, Landlord Soft is an adjustable head to be installed on ground poles for external use, designed to offer diffuse lighting. It is the perfect tool to light bushes, flowerbed and transit areas with a homogeneous diffuse light beam. It is characterized by an aluminum disk shape head, orientable up to 20 degrees and lockable in position.

Landlord is the lord of the earth and the lord of light, and if you are a flower or a tree or a simple two or four-legged animal, you have to ask Landlord for permission if you want to pass unharmed through the night. - Piero Lissoni

### Lamp

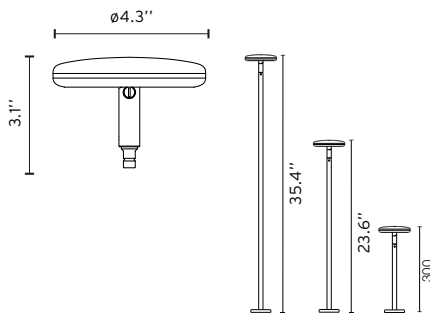
|                   |                     |
|-------------------|---------------------|
| Lamps Type        | LED                 |
| Wattage           | 5W                  |
| Output Nominal    | 379lm, 395lm, 421lm |
| Color Temperature | 2700K, 3000K, 4000K |
| Color rendering   | CRI80               |



### Optical

|                    |           |
|--------------------|-----------|
| Beam Angle         | 51°       |
| Lighting Type      | Indirect  |
| Light Distribution | Symmetric |

### Dimensions

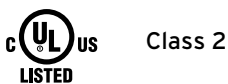


### Physical

|                           |                   |
|---------------------------|-------------------|
| Material                  | Aluminum          |
| Aiming                    | Adjustable, 20°   |
| Weight                    | 0.8 Pounds (Head) |
| Ingress Protection Rating | IP66              |
| Finishes                  | Painted lacquer   |

- 01 White    12 Forest Green    06 Grey
- 30 Black    18 Deep Brown    33 Anthracite    71 Black Oxide

### Certifications



### Photometrics

For current IES files please visit [architectural.flosusa.com](http://architectural.flosusa.com)

### Warranty

2 years from date of sale.

|                   |                        |
|-------------------|------------------------|
| Installation type | Ground Pole            |
| Environment       | Outdoor / Wet location |

## Landlord Soft

Adjustable head for ground poles installation designed by Piero Lissoni



### Electrical & Control

|                       |                        |
|-----------------------|------------------------|
| Input Fixture Voltage | 24V                    |
| Control               | Standard 0-10V dimming |
| Driver                | Remote - Class 2       |
| Input Driver Voltage  | 120 - 277V             |
| Output Driver Voltage | 24V                    |

### Performance

|                          |           |
|--------------------------|-----------|
| Maximum delivered output | 269       |
| Efficacy                 | 53.8 lm/W |

### Notes

Recommended connections for in-ground installations with a 2-way terminal block 4-pole IP68 water stop on 24V side. Order separately.

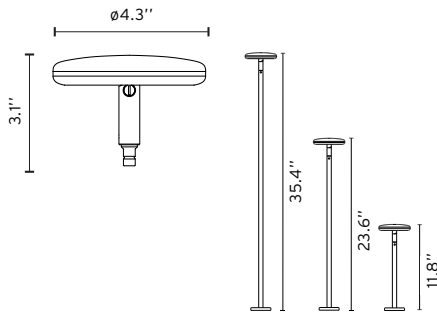
All drivers should be installed in weather resistant enclosures (by others) or indoors. Silicon filled wire-nuts where required, should be used on all line-voltage connections to avoid syphoning moisture to electrical components.

The painted versions are an exterior rated epoxy polyester powder coat finish for superior strength, heat and UV resistance.

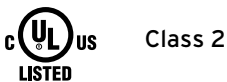
During installation and maintenance avoid scratching or damaging the finish as it may result in premature corrosion of metal surfaces. Avoid cleaning fixtures with corrosive chemicals as it may result in voiding the warranty.

LED fixtures are highly susceptible to failure due to electrical effects from poor connections, and electrical short circuits. These are frequently caused by (a) over-voltage from primary voltage sources, (b) electrostatic discharge from the exterior environment. Ensure that all outdoor fixtures are installed on GFI circuits as required by code, and use proper surge protecting devices to avoid irreversible damages to electrical components.

### Dimensions



### Certifications



### Photometrics

For current IES files please visit [architectural.flosusa.com](http://architectural.flosusa.com)

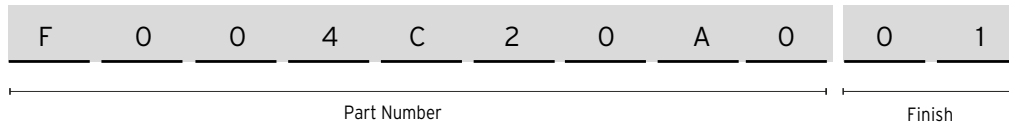
### Warranty

2 years from date of sale.

## Landlord Soft

Adjustable head for ground poles installation designed by Piero Lissoni

### How to specify



| Part Number | Finish       | CCT  | CRI | Initial Lumens | Delivered Lumens | Watts | Voltage | Beam Angle | Photometrics        |
|-------------|--------------|------|-----|----------------|------------------|-------|---------|------------|---------------------|
| F004C20A001 | White        | 2700 | 80  | 379            | 242              | 5W    | 24V     | 51°        | <b>1ft pole</b><br> |
| F004C20A006 | Grey         |      |     |                |                  |       |         |            |                     |
| F004C20A033 | Anthracite   |      |     |                |                  |       |         |            |                     |
| F004C20A030 | Black        |      |     |                |                  |       |         |            |                     |
| F004C20A018 | Deep Brown   |      |     |                |                  |       |         |            |                     |
| F004H20A012 | Forest Green |      |     |                |                  |       |         |            |                     |
| F004H20A071 | Black Oxide  |      |     |                |                  |       |         |            |                     |
| F004C30A001 | White        | 3000 | 80  | 395            | 252              | 5W    | 24V     | 51°        | <b>2ft pole</b><br> |
| F004C30A006 | Grey         |      |     |                |                  |       |         |            |                     |
| F004C30A033 | Anthracite   |      |     |                |                  |       |         |            |                     |
| F004C30A030 | Black        |      |     |                |                  |       |         |            |                     |
| F004C30A018 | Deep Brown   |      |     |                |                  |       |         |            |                     |
| F004H30A012 | Forest Green |      |     |                |                  |       |         |            |                     |
| F004H30A071 | Black Oxide  |      |     |                |                  |       |         |            |                     |
| F004C40A001 | White        | 4000 | 80  | 421            | 269              | 5W    | 24V     | 51°        | <b>3ft pole</b><br> |
| F004C40A006 | Grey         |      |     |                |                  |       |         |            |                     |
| F004C40A033 | Anthracite   |      |     |                |                  |       |         |            |                     |
| F004C40A030 | Black        |      |     |                |                  |       |         |            |                     |
| F004C40A018 | Deep Brown   |      |     |                |                  |       |         |            |                     |
| F004H40A012 | Forest Green |      |     |                |                  |       |         |            |                     |
| F004H40A071 | Black Oxide  |      |     |                |                  |       |         |            |                     |

## Landlord Soft

Adjustable head for ground poles installation designed by Piero Lissoni

### Required Accessories

Pole with base.  
Ready for installation on solid surface.  
Ground installation needs earth stick use, to be ordered as separated item.

Earth Stick for ground installation to be combined with the pole.

#### 1ft [300 mm] Part Number:

- F004Z010001  White
- F004Z010006  Grey
- F004Z010033  Anthracite
- F004Z010030  Black
- F004Z010018  Deep Brown
- F004Z010012  Forest Green
- F004Z010071  Black Oxide

#### Part Number: F004Z060000



#### 2ft [600 mm] Part Number:

- F004Z020001  White
- F004Z020006  Grey
- F004Z020033  Anthracite
- F004Z020030  Black
- F004Z020018  Deep Brown
- F004Z020012  Forest Green
- F004Z020071  Black Oxide

#### 3ft [900 mm] Part Number:

- F004Z030001  White
- F004Z030006  Grey
- F004Z030033  Anthracite
- F004Z030030  Black
- F004Z030018  Deep Brown
- F004Z030012  Forest Green
- F004Z030071  Black Oxide



## Landlord Soft

Adjustable head for installation on outdoor ground poles.

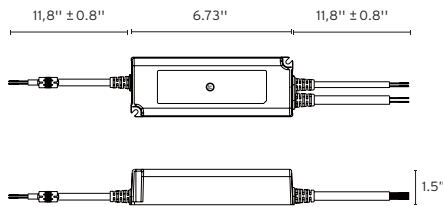
### Required Accessories

LED power supply source for remote installation, 24V/90W, 120-277V, OUTDOOR IP65  
Requires watertight outdoor NEMA rated enclosure( not supplied, by others)

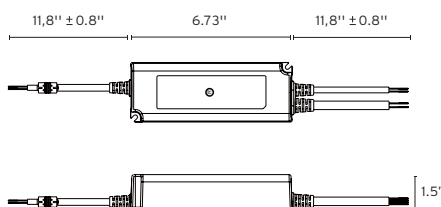
LED power supply source for remote installation, 24V/60W, 120-277V, OUTDOOR IP65  
Requires watertight outdoor NEMA rated enclosure( not supplied, by others)

LED power supply source for remote installation, 24V/40W, 120-277V, OUTDOOR IP65  
Requires watertight outdoor NEMA rated enclosure( not supplied, by others)

#### LED90W24V-PWM-B01



#### LED60W24V-PWM-B01



#### LED40W24V-PWM-B01

