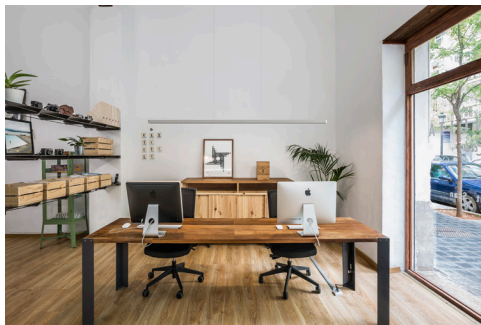


Super Line Up&Down Direct

Collection of suspended luminaires for general lighting.

Description

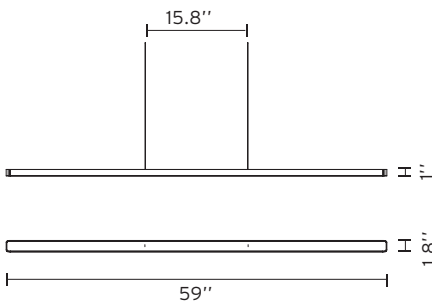
Efficient and delicate luminaire featuring a high technological level. It is composed of a bar combining direct and indirect light and held by two coaxial cables that provide support and electrical wiring. Perfect for offices or places that require high lighting efficiency and comfort. Collection of suspended luminaires for general lighting with a signature minimalist shape, designed to offer high-performance lighting, light quality and visual comfort combined in a very compact size.



Lamp

Lamps Type	LED
Wattage	58W
Output Nominal	2268lm UP / 4488lm Down - 2376lm UP / 4794lm Down
Color Temperature	3000K, 4000K, *2700K, *3500K (see Notes)
Color rendering	CRI 90

Dimensions



Optical

Beam Angle	82°
Lighting Type	General lighting Direct / Indirect
Light Distribution	Symmetric

Physical

Material	Aluminum
Aiming	Fixed
Weight	3.2 Lb
Ingress Protection Rating	IP20
Finishes	Painted lacquer

40 White 02 Grey 14 Black

Installation type	Ceiling Suspended
Environment	Indoor

Certifications



Photometrics

For current IES files please visit arch.flosusa.com

Warranty

2 years from date of sale.



Super Line Up&Down Direct

Collection of suspended luminaries for general lighting.

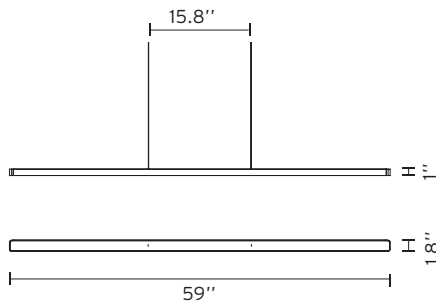
Electrical & Control

Fixture Vf	55.8Vf
mA	1050mA
Control	See driver option below
Driver	LED Remote Driver
Input Driver Voltaje	120V-277V

Performance

Maximum delivered output	5472
Efficacy	94lm/W

Dimensions



Notes

The patented optical system is specifically designed for office lighting applications. The principal lens is made of PMMA. It features a dedicated surface texturing and frosted finish to guarantee the maximum homogeneity of the light.

The optics have an extreme shielding angle that does not compromise the ultra-compact dimensions and high efficiency values of the fixture.

The light engine for the up light has been develop in combination with the lens to control the indirect light and control the luminous spread.

Super Line PRO Up & Down is a unique solution when compared to Super Line.

To minimize the visual impact, the suspension cables are also the feed wires, which eliminates the need for an additional power supply cable. Suspension length: 13ft.

On the Up & Down version each suspension point controls either up light or down light and is identified by a specific print on the product.

3000K and 4000K are the standard CCT for Super Line Family, 2700K and 3500K available but not cataloged. Consult factory.

Certifications



Class 2

Photometrics

For current IES files please visit arch.flosusa.com

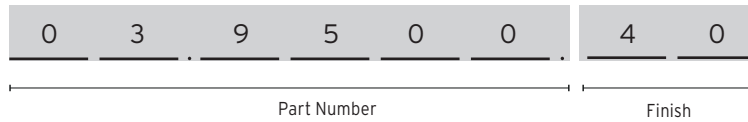
Warranty

2 years from date of sale.

Super Line Up&Down Direct

Collection of suspended luminaries for general lighting.

How to specify



Super Line Up&Down Direct

Part Number	Finish	CCT	Watts	UP Lumens	Down Lumens	Beam Angle	CRI	Photometrics		
03.9500.40	White	3000	58W	2268 lm	4488 lm	82°	90			
03.9500.02	Grey									
03.9500.14	Black									
03.9501.40	White	4000	58W	2376 lm	4794 lm			82°	90	
03.9501.02	Grey									
03.9501.14	Black									

Required Accessories

Splice Box: 9-7/8" X 3-3/8" X 1-5/8" H, With Driver
 Programmed by default to 1050mA , 60W, 0-10V ,
 Dimmable, 120V/277V

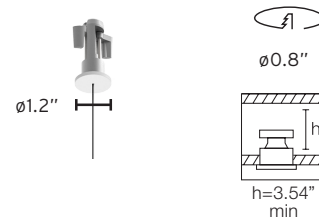
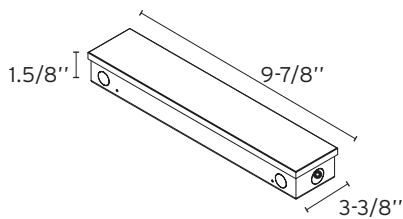
Remote Suspension KIT : Includes two suspension kits.

Part Number:

SP60W1050MA-10V-E01

Part Number:

- White 08.0524.30.19
- Grey 08.0524.02.19
- Black 08.0524.14.19



Super Line Up&Down Direct

Collection of suspended luminaires for general lighting.

Optional Accessories

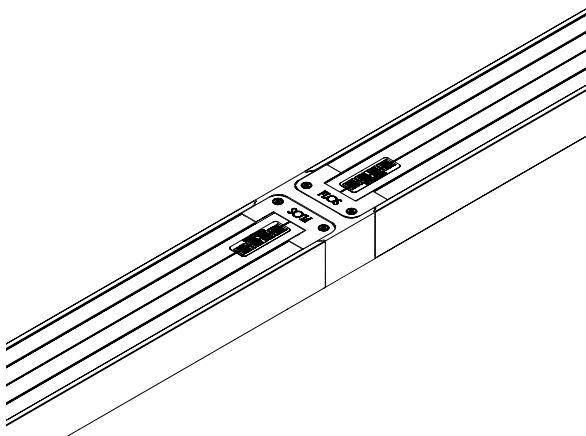
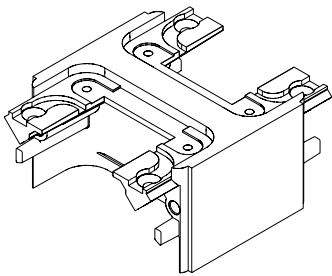
Joint Accessorie

Part Number:

08.9076.40

08.9076.02

08.9076.14



Super Line Up&Down Direct

Collection of suspended luminaries for general lighting.

Requirements UGR<19 and L 65°<3000 cd. at maximum power

Driver setting	Light emission	Indirect		Direct	
		UGR*	L 65° < 3000 cd	UGR*	L 65° < 3000 cd
1050 mA	100%	UGR < 19			
850 mA	80%	UGR < 19			
700 mA	70%	UGR < 19			
550 mA	55%	UGR < 19	√		
500 mA	50%	UGR < 19	√	UGR < 19	√
350 mA	36%	UGR < 19	√	UGR < 19	√

*X=4H, Y=8H, S=0.25H, reflections 70/50/20

Remote Suspension Kit

